



MODEL FD-SC

CURTAIN FIRE DAMPER

U.L. 555 CLASSIFIED 1-1/2 AND 3 HOURS
FOR USE IN STATIC SYSTEMS

Application and Design

The Model FD-SC is UL Classified for installation in walls, floors, and partitions with a fire rating of less than 3 hours. This damper must be installed vertically or horizontally in static HVAC systems that automatically shut down in the event of fire. (See optional 3 hr rating)

Standard Construction

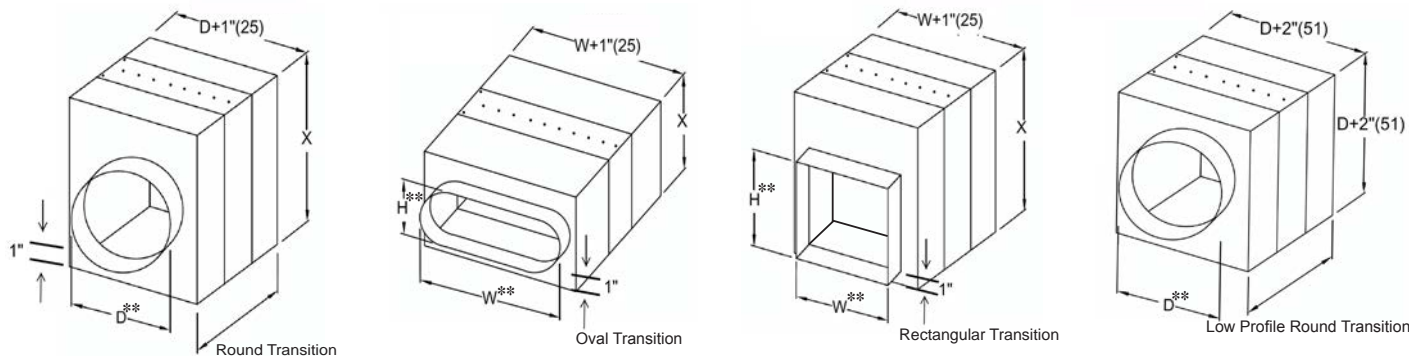
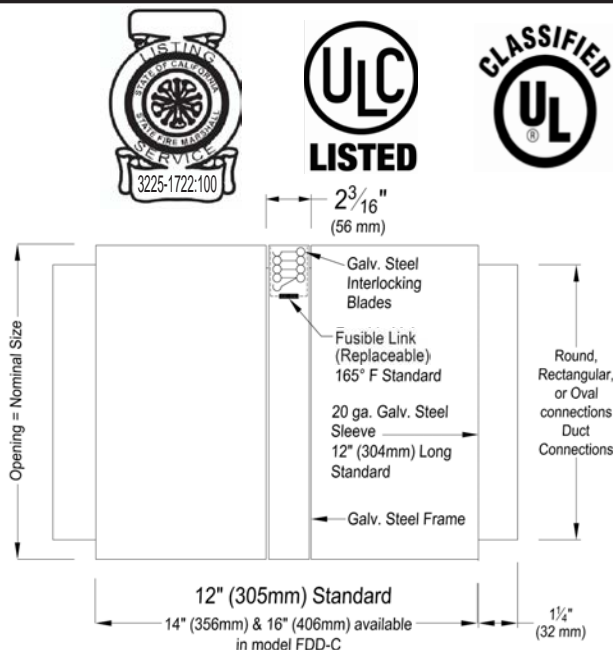
Frame: 12" Roll formed Type C Frame - Galvanized Steel - Integral Sleeve

Blades: Low Profile Roll Formed - Galvanized Steel 100% Free Area

Closure Springs (horizontal models only): Stainless Steel constant force coil

Fusible Link - UL-33: UL Listed 165°F (Standard), 212°F (Optional)

Model FD-SC meets or complies with the following as a fire damper:
All major building codes, including IBC/ICC International Code
UL 555 Listing 1-1/2 and 3 Hour - File #R25410
ULC S112
NFPA - 90A, 80



Standard Sizes (duct) 1-1/2 Hour & 3 Hour

	Min. V or H	*Max. Vertical Size	*Max. Horizontal Size
Rectangular or Oval	4" X 3" 102mm X 76mm	47"W X 43"H 1194mm X 1092mm	39"W X 35"H 991mm X 889mm
Round	3"Diameter 76mm	43" Diameter 1092mm	35" Diameter 889mm

*See Chart for Overall Sizes

**Dampers are furnished Approx. 1/4" undersized as given duct

Options:

- 3 Hour Rating
- Retaining Angles
 - One Side
 - Both Sides
- Taped & Sealed Transition for Medium Pressure System
- Caulked & Sealed Damper Frame

Job Name: _____

Location: _____

Architect: _____

Engineer: _____

Contractor: _____

MODEL FD-SC

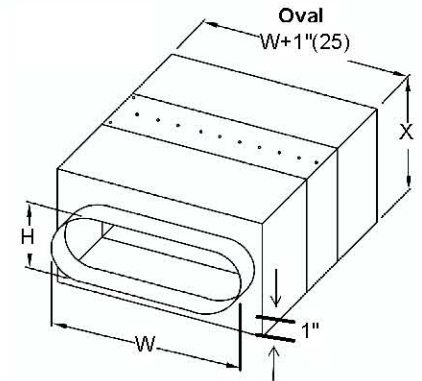
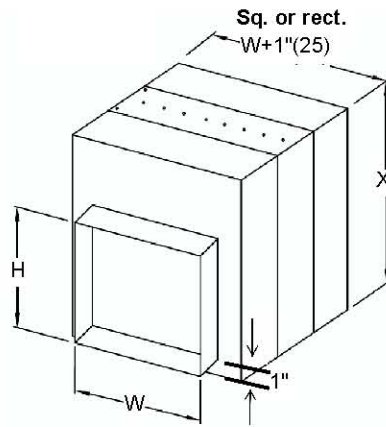
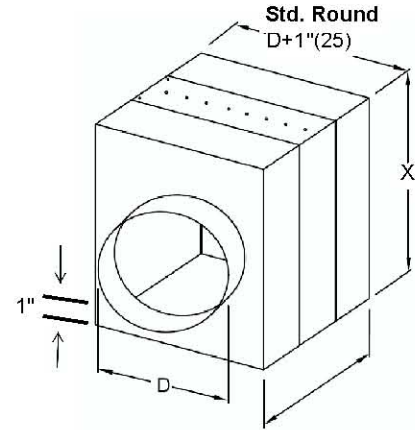
Rectangular
 Round
 Round (Low Profile)
 Oval

DRAWN BY: MAB	DATE: 09-08-06	REV. DATE: 01-26-09
REV. NO. 4	APPROVED BY: SDC	DWG. NO.: A-3



MODEL FD-SC
STATIC CURTAIN INTEGRAL SLEEVE FIRE DAMPERS
HORIZONTAL AND VERTICAL — 1¹/₂ HOUR & 3 HOUR
FIRE DAMPER SIZE CHART

D and H Dimensions	Std. Round, Rect., Oval "X" Dimension (Actual Size)
Inches	Inches
3	6
4	7
5	8
6	9
7	10
8	11
9	12
10	13
11	14
12	15
13	16
14	17
15	18
16	19
17	20
18	21
19	22
20	23
21	25
22	26
23	27
24	28
25	29
26	30
27	31
28	32
29	33
30	34
31	35
32	36
33	38
34	39
35	40
36	41
37	42
38	43
39	44
40	45
41	46
42	47
43	48
44	49
45	50
46	51



Low Profile Only

